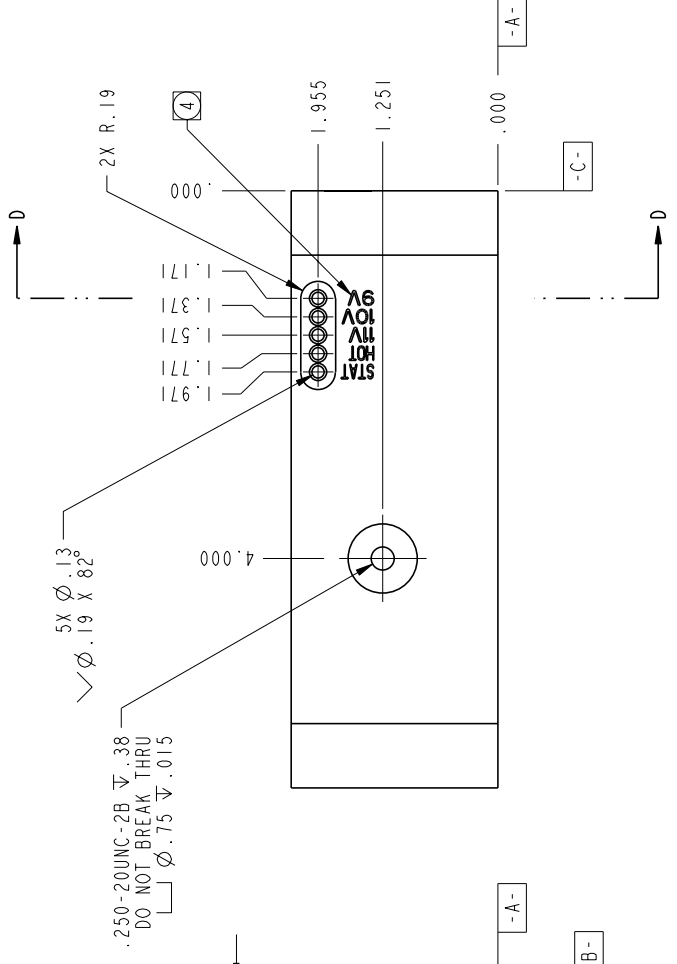
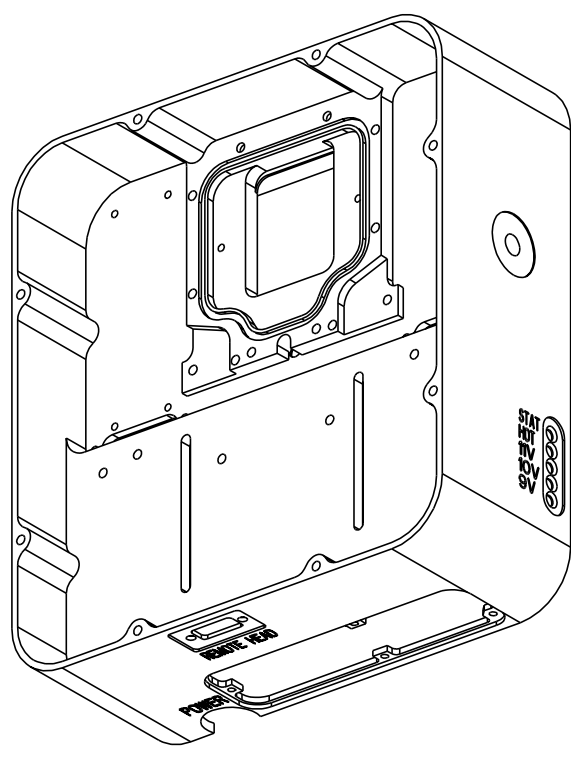
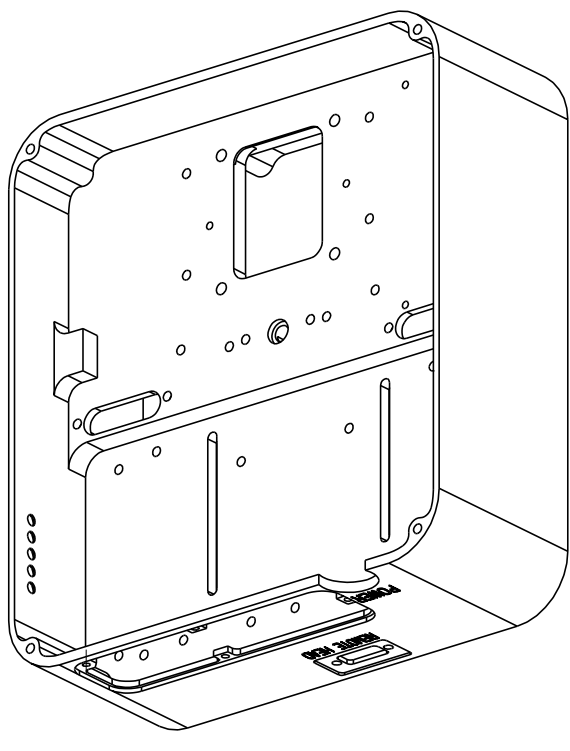
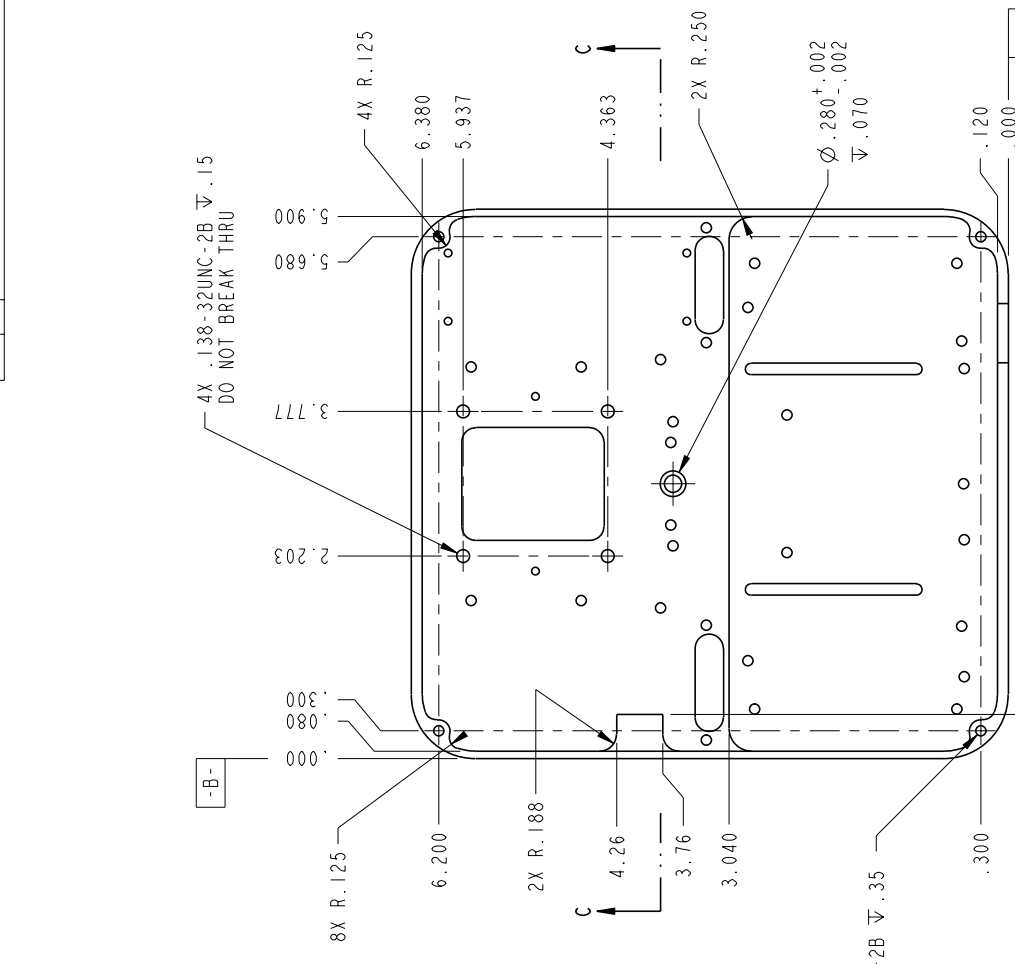
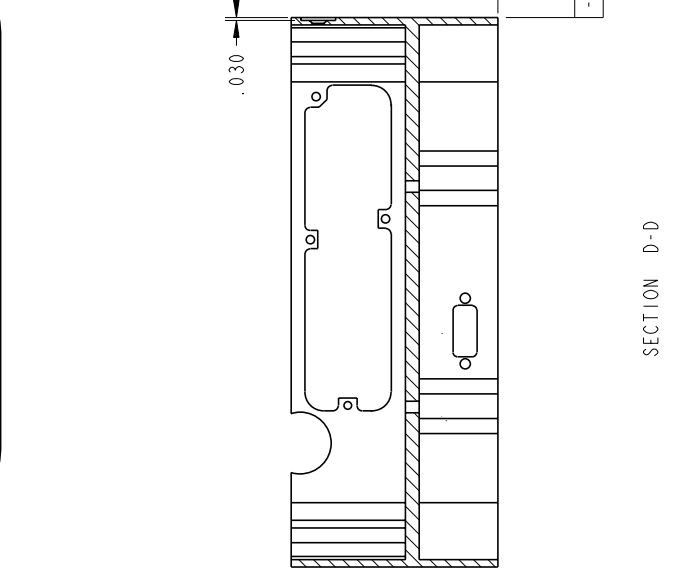


2430 2 6

REVISIONS		DATE	APPROVED
ZONE/REV	DESCRIPTION	11/12/02	LSB
-	INITIAL RELEASE		
G	SEE SH 1	06/08/04	LSB



SECTION C-C



SECTION D-D

STAFF/SCM NO.	D IBCX9	DWG. NO.	2430	REV.	6
SBIG			ASTRONOMICAL INSTRUMENTS		
SCALE 1/1		SHEET 2 OF 3			