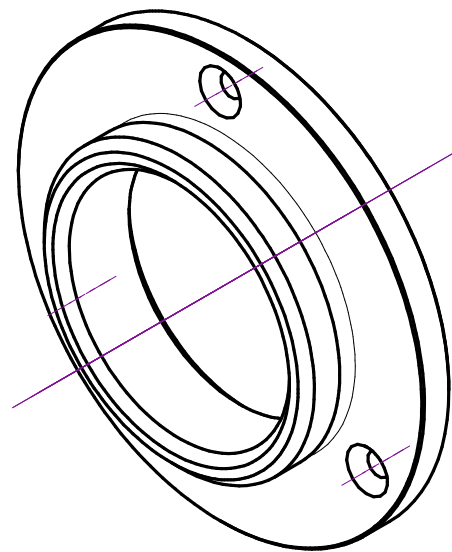
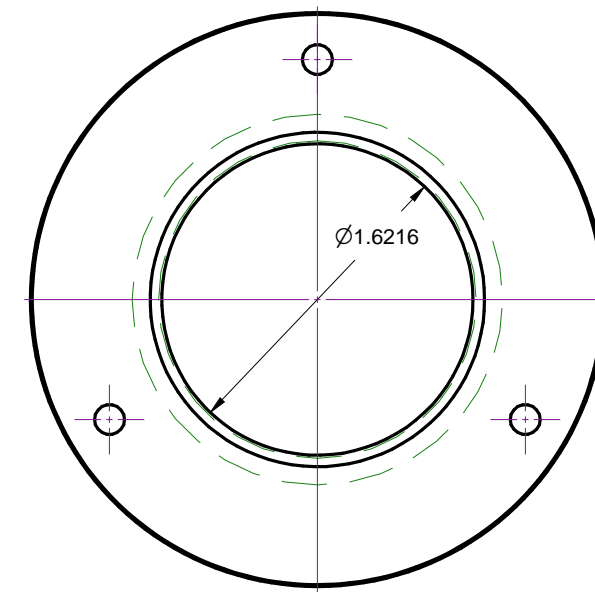
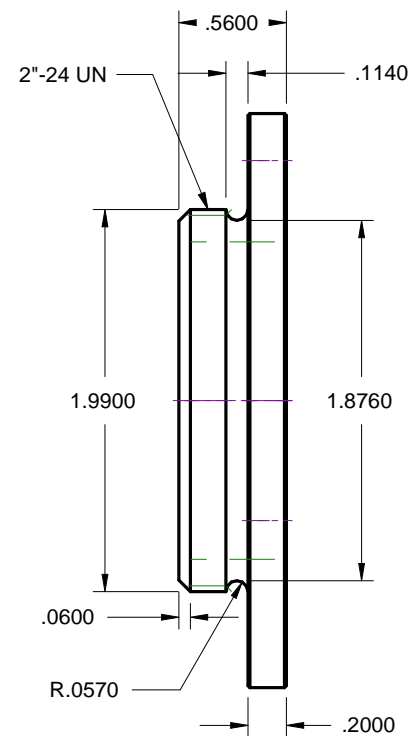
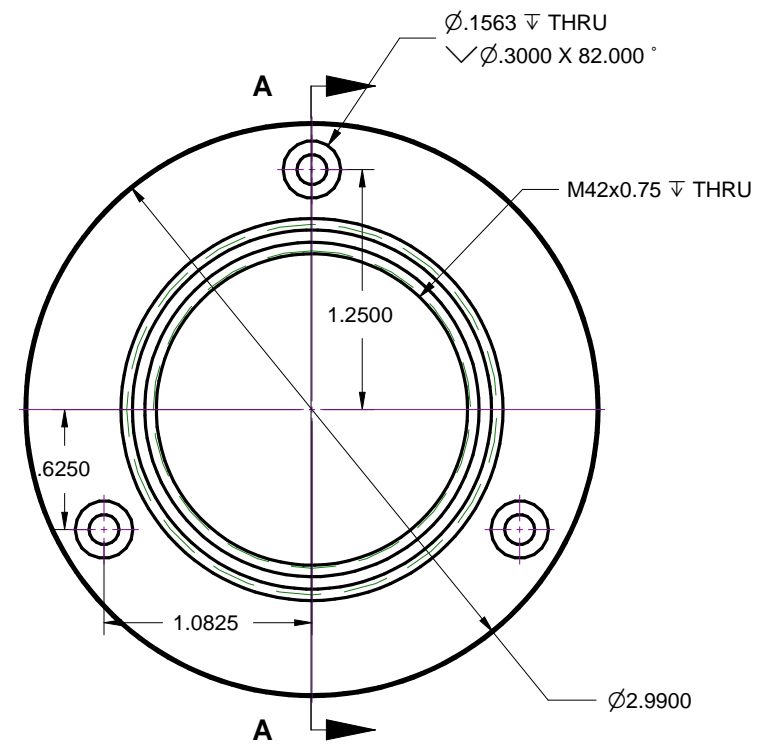
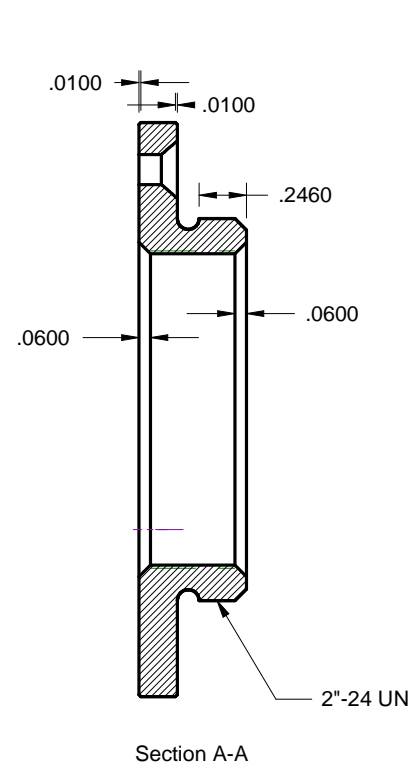



REVISIONS				
ZONE	REV	DESCRIPTION	DATE	APPROVED



All dimensions in inches Material: 6061-T6 Aluminum Finish: Type II Anodized matte black Surface area: 16.7 in ² Mass: 0.13 lb	DRAWN Fred Bruenjes	DATE 4/5/2009	 149 NW OO Hwy Warrensburg, MO 64093			
	CHECKED					
	QA		Q3RFCTM Quantum Rear Combo T Plate			
	MFG					
PROPRIETARY AND CONFIDENTIAL	APPROVED		SIZE B	FSCM NO. 4NS73	DWG NO. Q3RFCTM-1	REV A
			SCALE 1 : 1		SHEET 1 OF 1	